

# Tubular Flooded RE Series Battery - 105Ah



Product Code: **FSBDTF105**

Product Code: **6002844080259**



- Engineered to deliver 80% of rated capacity above 11.5 volts.
- Tubular positive plates and proprietary alloy compositions to provide a 50% Depth of Discharge cycle life of up to 2000 cycles @ 20°C.
- Low cost per cycle. Lifetime value maximized especially in hybrid systems where using batteries can dramatically reduce generator run times delivering lower maintenance and fuel costs and less CO2 emissions.
- Low maintenance designs, clear case jars and available watering systems to ease electrolyte level maintenance.
- Complete and ready to install systems, filled and charged with all necessary installation accessories (available Dry Charged).
- Tested and verified for compliance to applicable International Safety Standards. Built-in Ceramic flame arrestors to guard against ignition risks.
- IEC 61427 Compliant. Tested for compliance with the International Electrical Commission requirements for battery performance and life in PV applications.

## Tubular Flooded SOPzS Blocks

Discover® Tubular Flooded RE Series Batteries provide superior deep cycling performance and reliability for demanding commercial, industrial and residential applications. Discover® Tubular Flooded RE Series Batteries utilize Advanced Tubular Plate Technology to deliver long service life with low maintenance requirements. RE Series Batteries provide reliable energy storage for Stationary Backup and Telecom Networks, Road Surface, and Rail Traffic Signaling Systems, Solar, Wind, and Hybrid Off-Grid and Grid-tie renewable energy applications. Discover® Tubular Flooded RE Series Batteries provide maximum efficiency per discharge-charge cycle, and proven reliability in remote, high temperature, or unstable power network installations.

## TECHNICAL INFORMATION

### Specifications:

Mechanical	
Terminal	M8 L
Poles	2
Cell (S)	6
Container	Polypropylene
Electrical	
Voltage	12
Reference LVD/I10	20% DOD 12.3V
	50% DOD 11.9V
	80% DOD 11.5V
Cycle Life	20% DOD 3600 cycles
	50% DOD 2000 cycles
	80% 1200 cycles
Internal Resistance	5mΩ +/-1.5
Short Circuit	1350 A
Self Discharge	4-5% per month
Maximum Operating Temperature	-35°C ~ 50°C
Electrolyte (20°C)	1.24 S.G

## PACKAGE DIMENSIONS



Height (mm)	Depth (mm)	Width (mm)	Weight (kg)
273	365	171	17

## THE PACKAGE CONTAINS



1 x Tubular Flooded RE Series Battery - 105Ah

### Product Certificates\*

IEC 61427: Requirements for Photovoltaic Energy Systems.  
 IEC 60896-11: Requirements for Vented lead-acid batteries.  
 DIN 40736-1: Specifications for RE Series-Cells  
 DIN 40736-3: Specifications for RE Series Block  
 EN 50272-2: Safety Requirements for Stationary batteries  
 ISO 9001, ISO 14001, BS OHSAS 180: Manufacturing & production facilities  
 ETTS Germany



240 HR	120 HR	100 HR	20 HR	10 HR	5 HR	3 HR	1 HR
1.85 Volts Per Cell (VPC)			1.75 Volts Per Cell (VPC)				
125 AH	120 AH	117 AH	105 AH	90 AH	80 AH	70 AH	60 AH

FSBDTF105

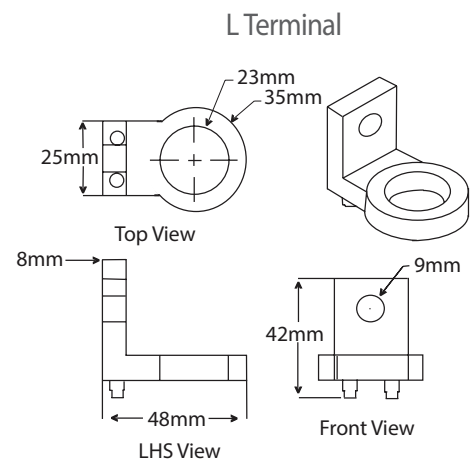
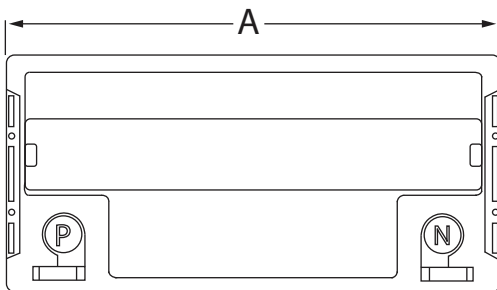
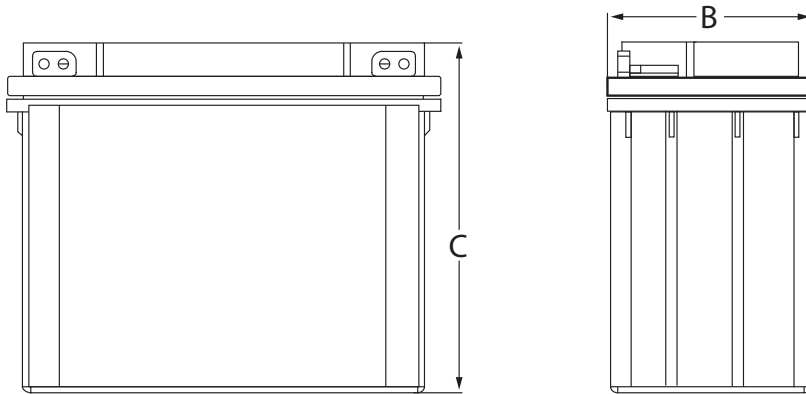


www.elliesrenewable.co.za





## MECHANICAL DRAWINGS



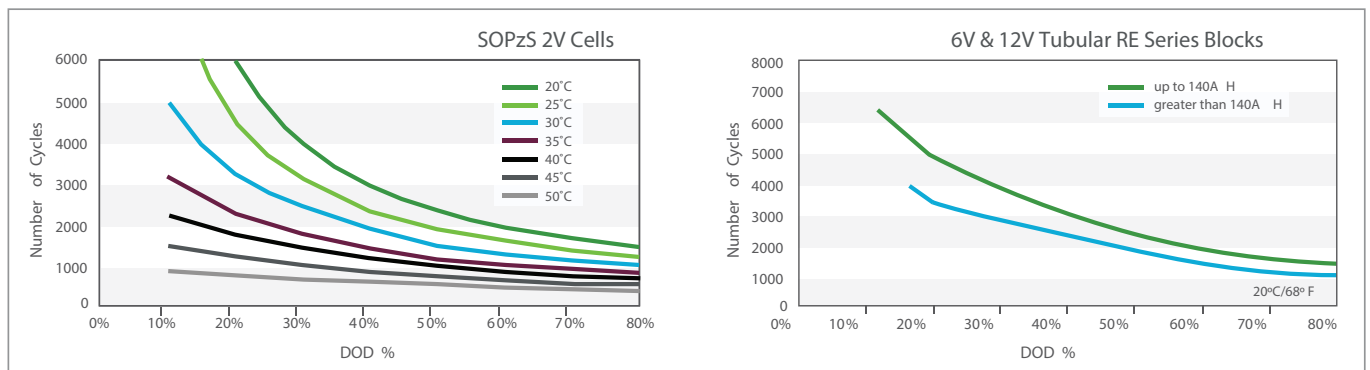
\*Available with float vent indicators



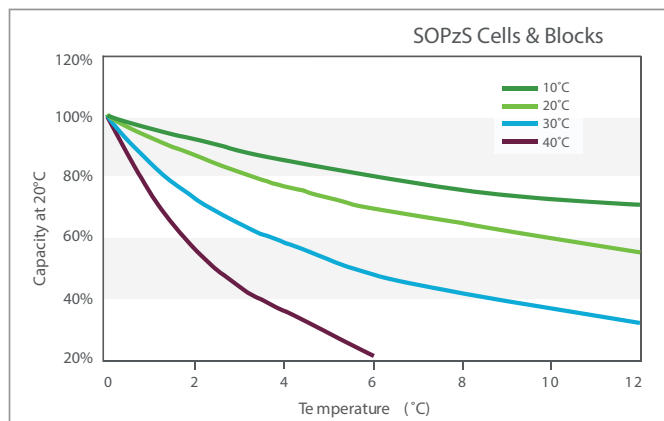


## Graphs

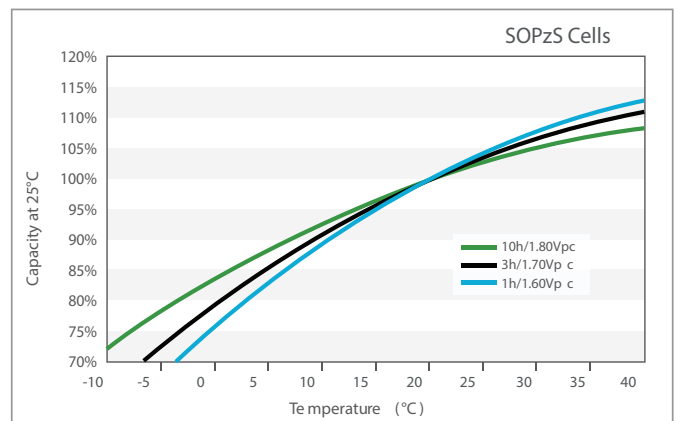
Expected Number of Cycles in Relation to the Depth of Discharge



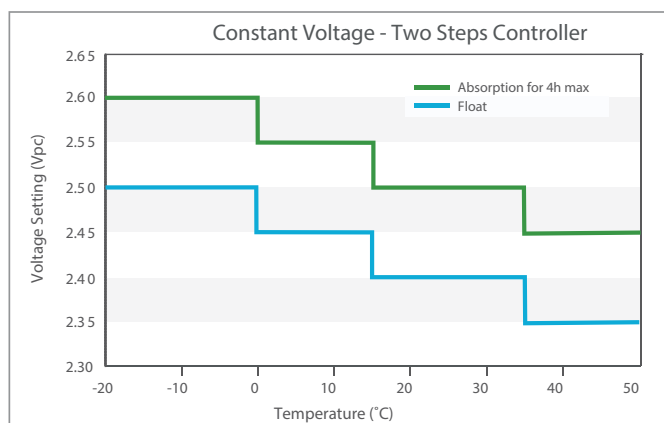
Self-discharge Characteristic s



Capacity vs. Temperature



Charge Settings for Stand-alone Systems



Expected Service Life in Relation to Operating Temperature

