

50mm Inverter to Battery Connection Set



Product Code: **FSBL50I**
Barcode: **6002844076245**



- Use with 12V/1500W
24V/3000W
48V/6000W (Ellies 6000 watt MP inverter)
- Includes: 160A Fuse

50mm Inverter to Battery Connection Set

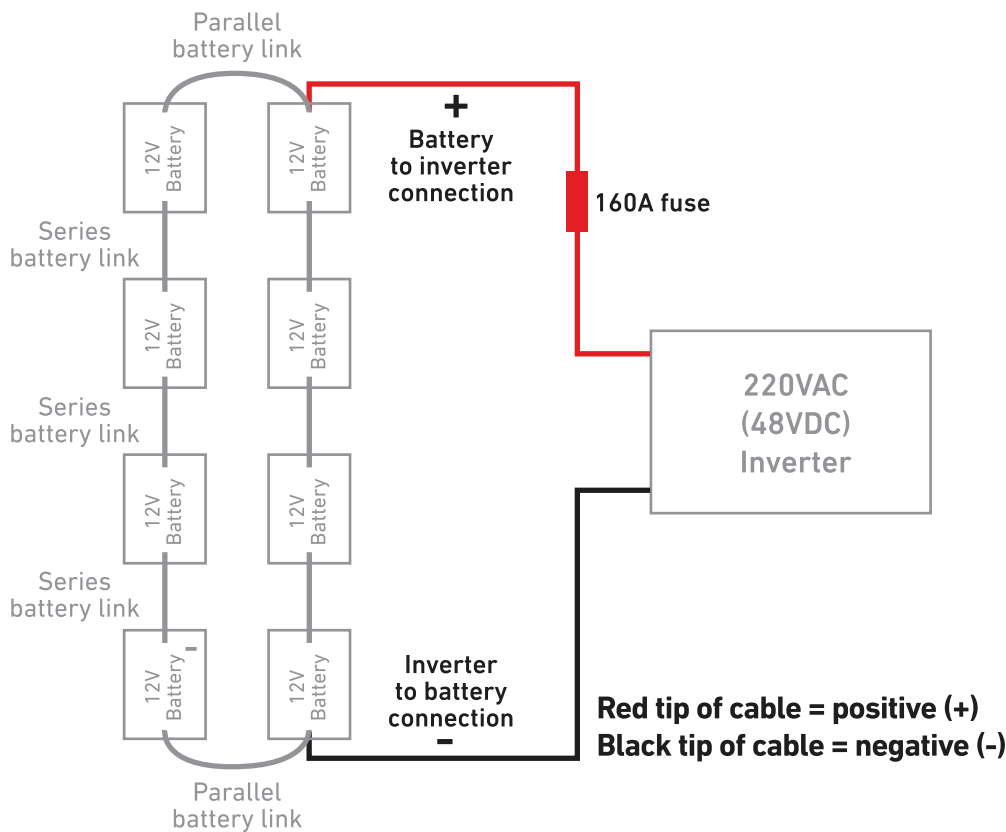
50mm² cable to connect inverter to batteries.

THE PACKAGE CONTAINS

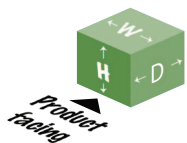


1 x 50mm Inverter to Battery Connection Set

Diagram



PACKAGE DIMENSIONS



Height (mm)	Depth (mm)	Width (mm)	Weight (kg)
308	248	65	2.30