

# PV Solar Panel

## 270W



Product Code: **FSP270CS**

Barcode: **6002844081539**



### PV Solar Panel

The high quality and reliability of Canadian Solar's modules is ensured by 15 years of experience in module manufacturing, well-engineered module design, stringent BOM quality testing, an automated manufacturing process and 100% EL testing.

**10** year warranty  
product warranty on materials and workmanship

**25** year warranty  
linear power output warranty

#### Product Certificates\*

IEC 61215 / IEC 61730: VDE / TÜV-Rheinland / CE / MCS / CEC AU / INMETRO / CQC  
UL 1703 / IEC 61215 performance: CEC listed (US) / FSEC (US Florida)  
UL 1703: CSA / IEC 61701 ED2: VDE / IEC 62716: VDE  
UNI 9177 Reaction to Fire: Class 1  
IEC 60068-2-68: SGS

Take-e-way

- Excellent module efficiency of up to 16.80 %
- High PTC rating of up to 91.89 %
- Outstanding low irradiance performance of up to 96.5 %
- IP67 junction box for long-term weather endurance
- Heavy snow load up to 6000 Pa, wind load up to 4000 Pa \*

### THE PACKAGE CONTAINS

1 x 270W Solar Panel

### TECHNICAL INFORMATION

#### Specifications

| ELECTRICAL DATA   STC*       |   |
|------------------------------|---|
| Nominal Max. Power (Pmax)    | 270 W                                   |
| Opt. Operating Voltage (Vmp) | 30.8 V                                  |
| Opt. Operating Current (Imp) | 8.75 A                                  |
| Open Circuit Voltage (Voc)   | 37.9 V                                  |
| Short Circuit Current (Isc)  | 9.32 A                                  |
| Module Efficiency            | 16.50%                                  |
| Operating Temperature        | -40°C ~ +85°C                           |
| Max. System Voltage          | 1000 V (IEC) or 1000 V (UL)             |
| Module Fire Performance      | TYPE 1 (UL 1703) or CLASS C (IEC 61730) |
| Max. Series Fuse Rating      | 15 A                                    |
| Application Classification   | Class A                                 |
| Power Tolerance              | 0 ~ + 5 W                               |

\* Under Standard Test Conditions (STC) of irradiance of 1000 W/m<sup>2</sup>, spectrum AM, 1.5 and cell temperature of 25°C.

| ELECTRICAL DATA   NOCT*      |        |
|------------------------------|--------|
| Nominal Max. Power (Pmax)    | 196 W  |
| Opt. Operating Voltage (Vmp) | 28.1 V |
| Opt. Operating Current (Imp) | 6.97 A |
| Open Circuit Voltage (Voc)   | 34.8 V |
| Short Circuit Current (Isc)  | 7.55 A |

Under Nominal Operating Cell Temperature (NOCT), irradiance of 800 W/m<sup>2</sup> spectrum AM 1.5, ambient temperature 20°C, wind speed 1 m/s.

| MECHANICAL DATA        |   |
|------------------------|---|
| Cell Type              | Poly-crystalline, 6 inch  |
| Cell Arrangement       | 60 (6x10)   |
| Front Cover            | 3.2 mm tempered glass   |
| Frame Material         | Anodized aluminium alloy  |
| J-Box                  | IP67, 3 diodes  |
| Cable                  | 4mm <sup>2</sup> (IEC) or 4mm <sup>2</sup> & 12 AWG<br>1000 V (UL), 1000 mm (39.4 in) |
| Connectors             | T4 series or PV2 series   |
| Per Pallet             | 26 pieces, 520 kg (1146.4 lbs)  |
| Per container (40' HQ) | 728 pieces  |

| PERFORMANCE AT LOW IRRADIANCE  |
|--|
| Outstanding performance at low irradiance, with an average relative efficiency of 96.5 % from an irradiance of 1000 W/m <sup>2</sup> to 200 W/m <sup>2</sup> (AM 1.5, 25°C). |

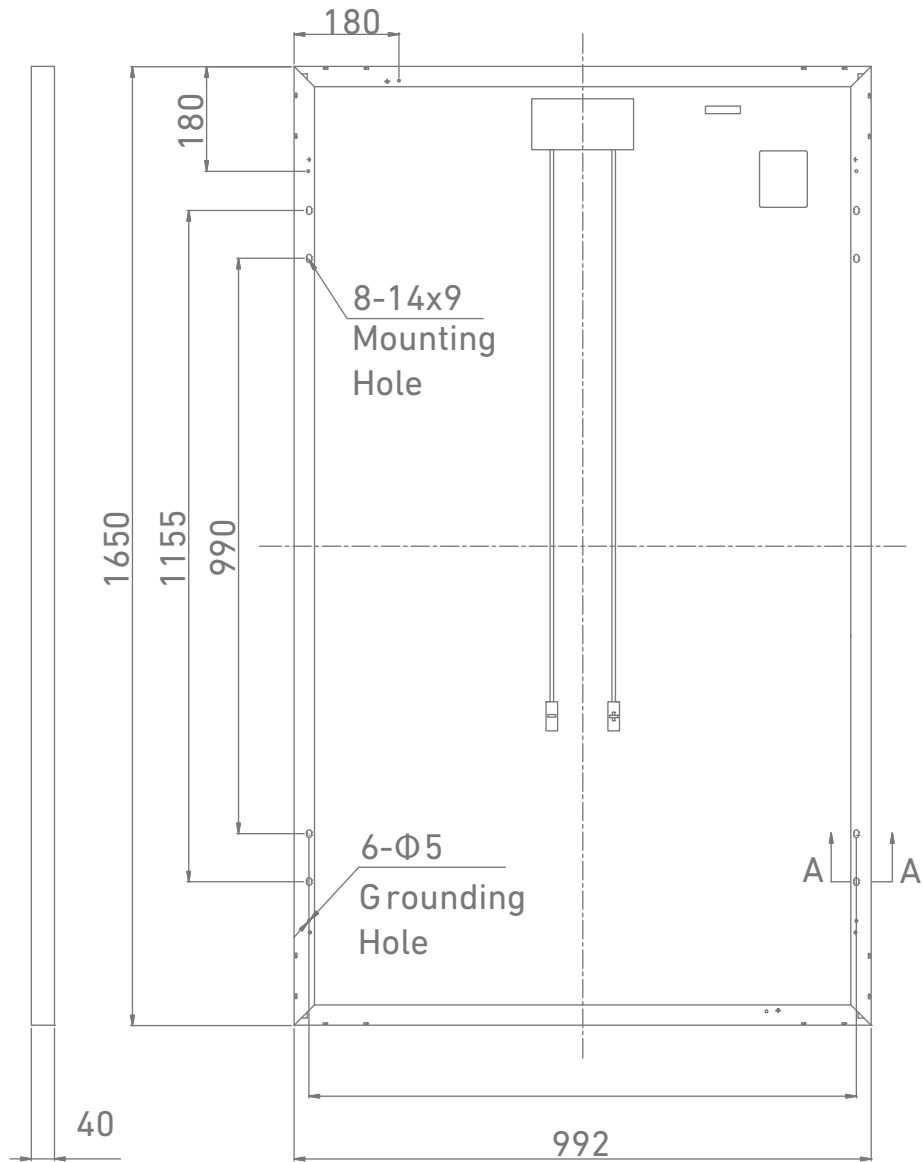


### PACKAGE DIMENSIONS

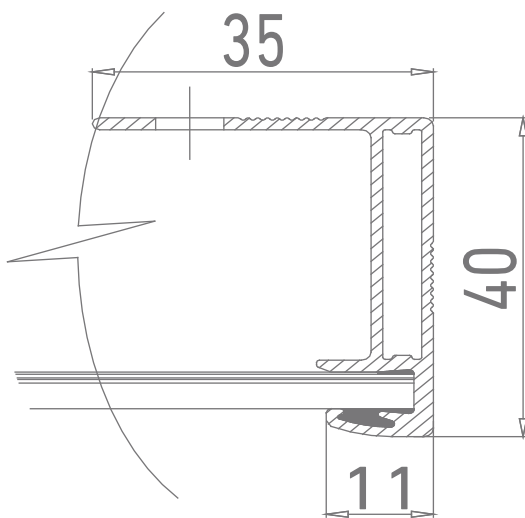
|  | Height (mm) | Depth (mm) | Width (mm) | Weight (kg) |
|--|-------------|------------|------------|-------------|
|  | 1650        | 40         | 992        | 18,2        |

Product Isotling

Rear View



Frame Cross Section A-A



Mounting Hole

