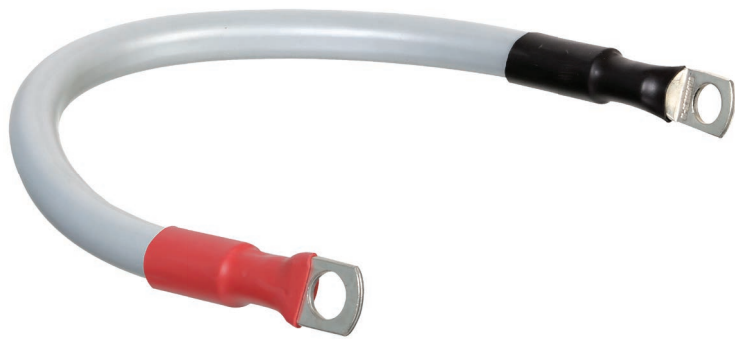


# 35mm<sup>2</sup> Series Battery Link



Product Code: **FSBL35S**  
Barcode: **6002844076276**

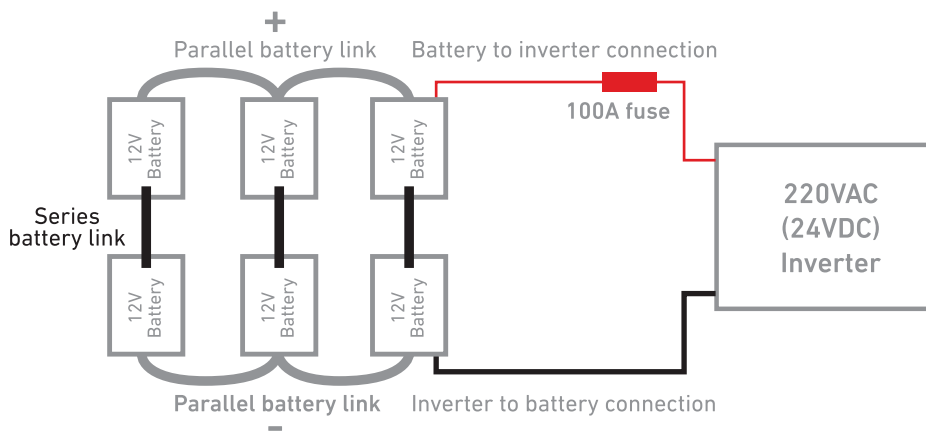


- Use with 12V/1000W  
24V/2000W (Ellies 2000 watt MP inverter)  
48V/4000W
- Length: 0,35m

## 35mm<sup>2</sup> Series Battery Link

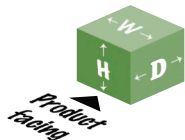
35mm<sup>2</sup> cable to connect batteries in parallel.

### Diagram



**Red tip of cable = positive (+)**  
**Black tip of cable = negative (-)**

### PACKAGE DIMENSIONS



Height (mm)	Depth (mm)	Width (mm)	Weight (kg)
250	130	87	0.22

### THE PACKAGE CONTAINS



1 x 35mm<sup>2</sup> Series Battery Link