

# 50mm<sup>2</sup> Parallel Battery Link - Positive



Product Code: FSBL50PP

Barcode: 6002844076214



- Use with 12V/1500W  
24V/3000W  
48V/6000W (Ellies 6000 watt MP inverter)

- Length: 0.35m

## 50mm<sup>2</sup> Parallel Battery Link - Positive

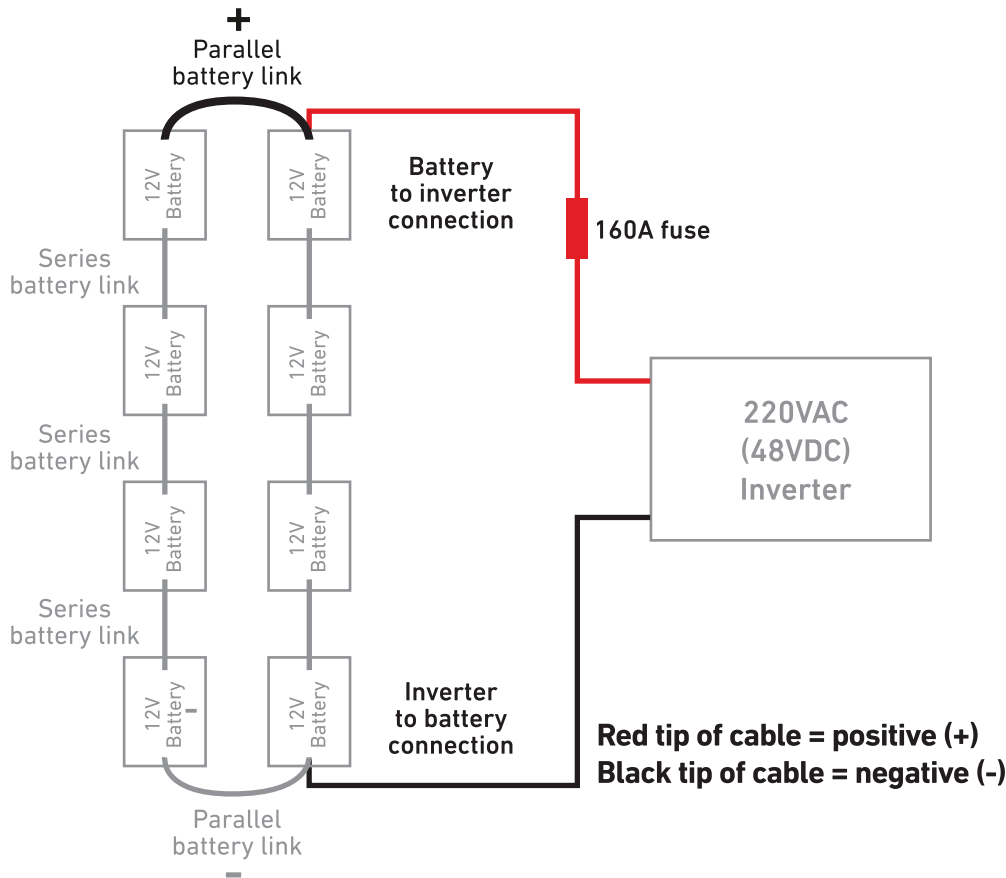
50mm<sup>2</sup> cable to connect batteries in parallel.

## THE PACKAGE CONTAINS

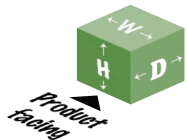


1 x 50mm<sup>2</sup> Parallel Battery Link - Positive

## Diagram



## PACKAGE DIMENSIONS



Height (mm)	Depth (mm)	Width (mm)	Weight (kg)
303	240	50	0.12