

# 50mm<sup>2</sup> Series Battery Link - Positive



Product Code: **FSBL50S**  
Barcode: **6002844076238**



- Use with 12V/1500W  
24V/3000W  
48V/6000W (Ellies 6000 watt MP inverter)
- Length: 0.35m

## 50mm<sup>2</sup> Series Battery Link - Positive

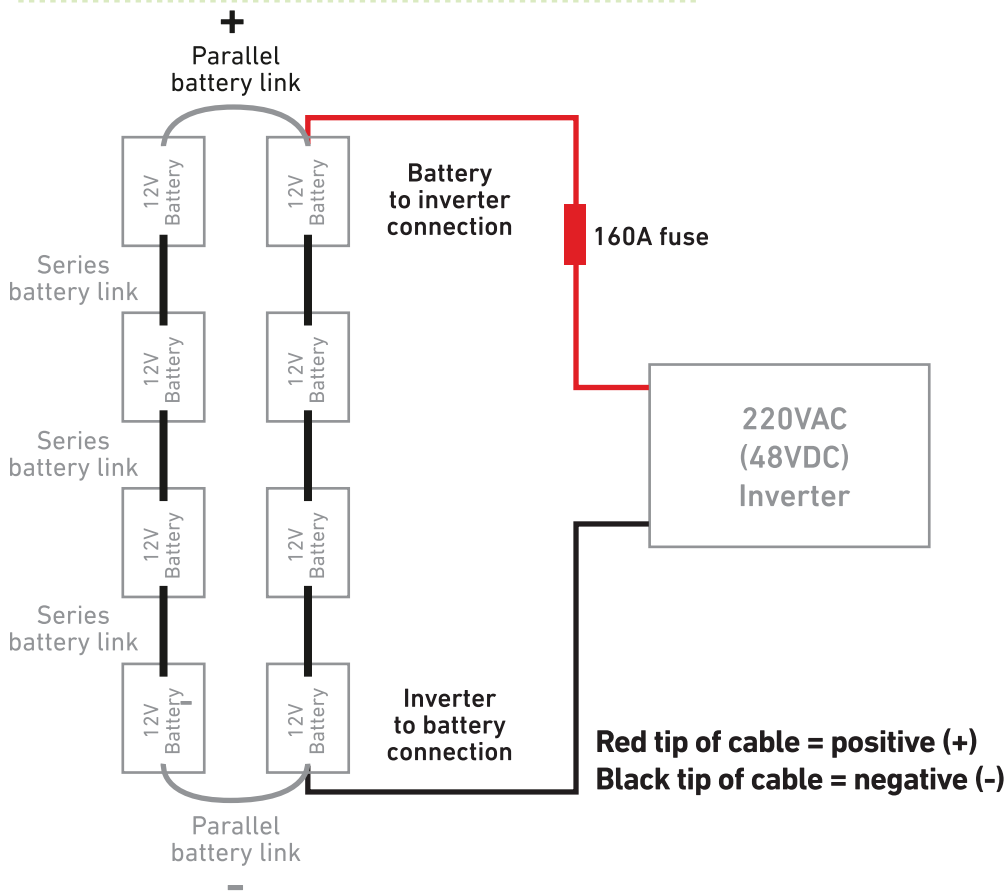
50mm<sup>2</sup> cable to connect batteries in series.

## THE PACKAGE CONTAINS

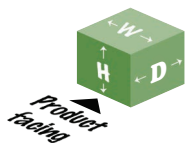


1 x 50mm<sup>2</sup> Series Battery Link - Positive

## Diagram



## PACKAGE DIMENSIONS



Height (mm)	Depth (mm)	Width (mm)	Weight (kg)
303	240	50	0.12