

Eco Smart Surge Power Block

Satellite and Aerial input with Surge Protection



Product Code: **FBLPSG5S4**

Barcode: **6002844063771**

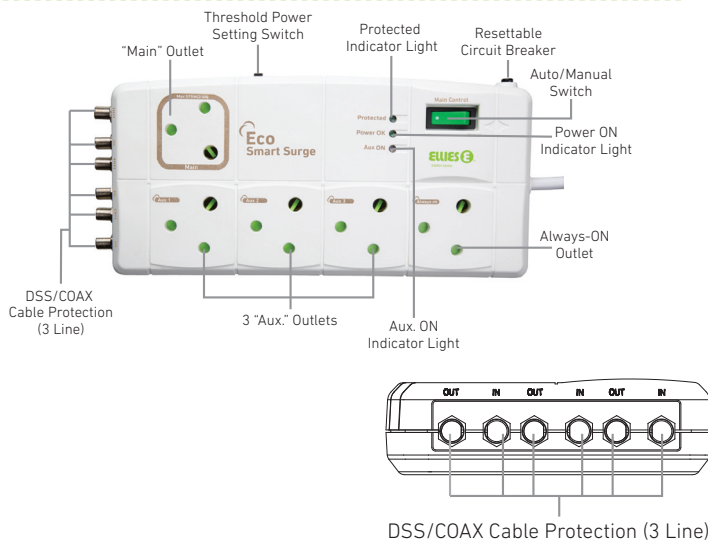


R50 000
warranty
Surge Protection
repair or replace
TERMS AND CONDITIONS APPLY

Eco Smart Surge Power Block

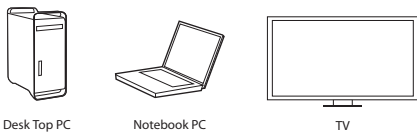
Convenience of energy saving and surge protection from one power block.

Diagram



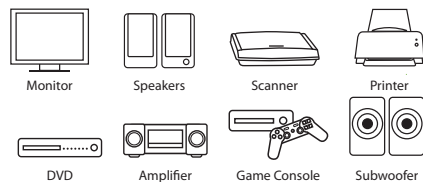
Main Outlet

The ideal electronic devices, which can be used as the main device, are listed below.



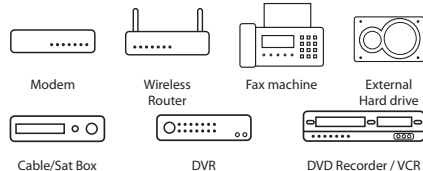
Auxiliary Outlet

The ideal electronic devices, which can be used as the main device, are listed below.



Always On Outlet

The ideal electronic devices, which can be used as the main device, are listed below.



Tested to SANS compulsory standards



- Reduces power wastage from devices on standby mode.
- Designed to reduce the cost of energy consumption.
- Constant power supply for Main outlet and Always On outlet
- Main outlet controls non-essential devices plugged in the Auxiliary outlets.
- Eliminates fire from high surge activity
- Built in power smoothing
- Enclosed R50 000 warranty form to be completed in full and faxed, emailed or posted to Ellies within 30 days from purchase
- Main Socket: Use Primary device remote to operate auxiliary power functionality
- Telephone input: Line Protection 1 Line
- Auxiliary power: Controlled through main socket operation
- Always On: Constant power to device
- Satellite or Aerial Cable Protection 3 line
- 1.8m cord

1836
Joules
POWER SURGE
PROTECTION

COAX CABLE
LINE SURGE
PROTECTION

TECHNICAL INFORMATION

Specifications

Electrical Rating	16A / 250V, 50Hz
Outlets (Total)	5
Main Outlet	1
Auxiliary Outlet	3
Always On	1
Auto/Manual Mode Switch	Auto Mode (Main/Auxiliary function enable) / Manual Mode (Main/Auxiliary function disable)
Surge Suppression	1836 J
EMI/RFI Noise Filter	150KHz~100MHz / up to 40dB
Optional Secondary	* DSS/COAX Cable Protection (3-Line)

THE PACKAGE CONTAINS



- 1 x Eco Smart Surge Power Block - Satellite and Aerial input with Surge Protection
- 1 x R50 000 warranty form (Needs to be completed in full and faxed, emailed or posted to Ellies within 30 days from purchase.)

PACKAGING DIMENSIONS

	Weight (kg)	Height (mm)	Width (mm)	Depth (mm)
Package	0,99	389,9	139,9	59

www.elliesrenewable.co.za

