

Modular Anti-glare COB Spot Light - 18W

3000K



Product Code: **FL18WRML**
Barcode: **6002844083342**



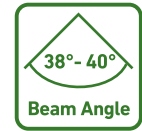
PACKAGE DIMENSIONS



Height (mm)	Depth (mm)	Width (mm)	Weight (kg)
60	173	173	0.5

Application: Retail, residential and commercial under roof

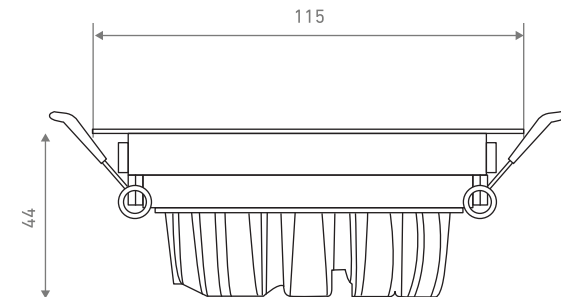
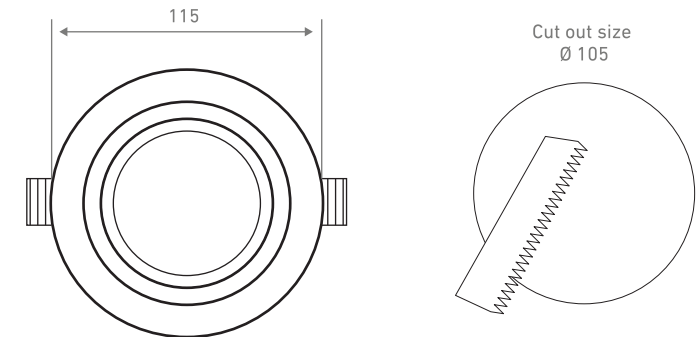
- Low energy consumption.
- Cost efficient.
- Low thermal output.
- Material: Die-casting Aluminum
- Furnishing: White



TECHNICAL INFORMATION

Specifications:

Wattage	18W
Voltage	AC 220V - 240V
LED Chips	COB
Colour Temperature	3000K (Warm White)
Lumens	1440 - 1620lm
Colour rendering index	(CRI) ≥ 80
Beam angle	38° - 40°
Power factor	≥0.9PF
Working Temperature	20°C - 40°C
Warranty	3 years



PACKAGE CONTENTS



1 x Modular Anti-glare COB Spot Light - 18W