

# PV Solar Panel 325W



Product Code: FSP325CS

Barcode:



## PV Solar Panel

Canadian Solar's modules use the latest innovative cell technology, increasing module power output and system reliability, ensured by 15 years of experience in module manufacturing, well-engineered module design, stringent BOM quality testing, an automated manufacturing process and 100% EL testing.

**10**  
year warranty

product warranty  
on materials and  
workmanship

**25**  
year warranty


linear power  
output warranty

### Product Certificates\*

IEC 61215 / IEC 61730: VDE / CE / CQC / MCS / INMETRO / CEC AU  
UL 1703 / IEC 61215 performance: CEC listed (US) / FSEC (US Florida)  
UL 1703: CSA / IEC 61701 ED2: VDE / IEC 62716: VDE  
UNI 9177 Reaction to Fire: Class 1 IEC 60068-2-68: SGS  
Take-e-way

- Excellent module efficiency of up to 16.79 %.
- Outstanding low irradiance performance: 96.0 %.
- High PTC rating of up to 91.55%
- IP67 junction box for long-term weather endurance
- Heavy snow load up to 5400 Pa, wind load up to 2400 Pa

## THE PACKAGE CONTAINS

 1 x 325W Solar Panel

## TECHNICAL INFORMATION

### Specifications

ELECTRICAL DATA   STC*	
Nominal Max. Power (Pmax)	325 W
Opt. Operating Voltage (Vmp)	37.0 V
Opt. Operating Current (Imp)	8.78 A
Open Circuit Voltage (Voc)	45.5 V
Short Circuit Current (Isc)	9.34 A
Module Efficiency	16.72 %
Operating Temperature	-40°C ~ +85°C
Max. System Voltage	1000 V (IEC) or 1000 V (UL)
Module Fire Performance	TYPE 1 (UL 1703) or CLASS C (IEC 61730)
Max. Series Fuse Rating	15 A
Application Classification	Class A
Power Tolerance	0 ~ + 5 W

\* Under Standard Test Conditions (STC) of irradiance of 1000 W/m<sup>2</sup>, spectrum AM, 1.5 and cell temperature of 25°C.

ELECTRICAL DATA   NOCT*	
Nominal Max. Power (Pmax)	236 W
Opt. Operating Voltage (Vmp)	33.7 V
Opt. Operating Current (Imp)	6.98 A
Open Circuit Voltage (Voc)	41.8 V
Short Circuit Current (Isc)	7.57 A

\* Under Nominal Operating Cell Temperature (NOCT), irradiance of 800 W/m<sup>2</sup>, spectrum AM 1.5, ambient temperature 20°C, wind speed 1 m/s.

MECHANICAL DATA	
Cell Type	Poly-crystalline, 6 inch
Cell Arrangement	72 (6x12)
Front Cover	3.2 mm tempered glass
Frame Material	Anodized aluminium alloy
J-Box	IP67, 3 diodes
Cable	4mm <sup>2</sup> (IEC) or 4mm <sup>2</sup> & 12 AWG 1000 V (UL), 1160 mm (45.7in)
Connectors	T4 series or PV2 series
Per Pallet	26 pieces, 635 kg (1400lbs)
Per container (40' HQ)	624 pieces

PERFORMANCE AT LOW IRRADIANCE
Outstanding performance at low irradiance, with an average relative efficiency of 96.0 % from irradiances, between 1000 W/m <sup>2</sup> and 200 W/m <sup>2</sup> (AM 1.5, 25°C).

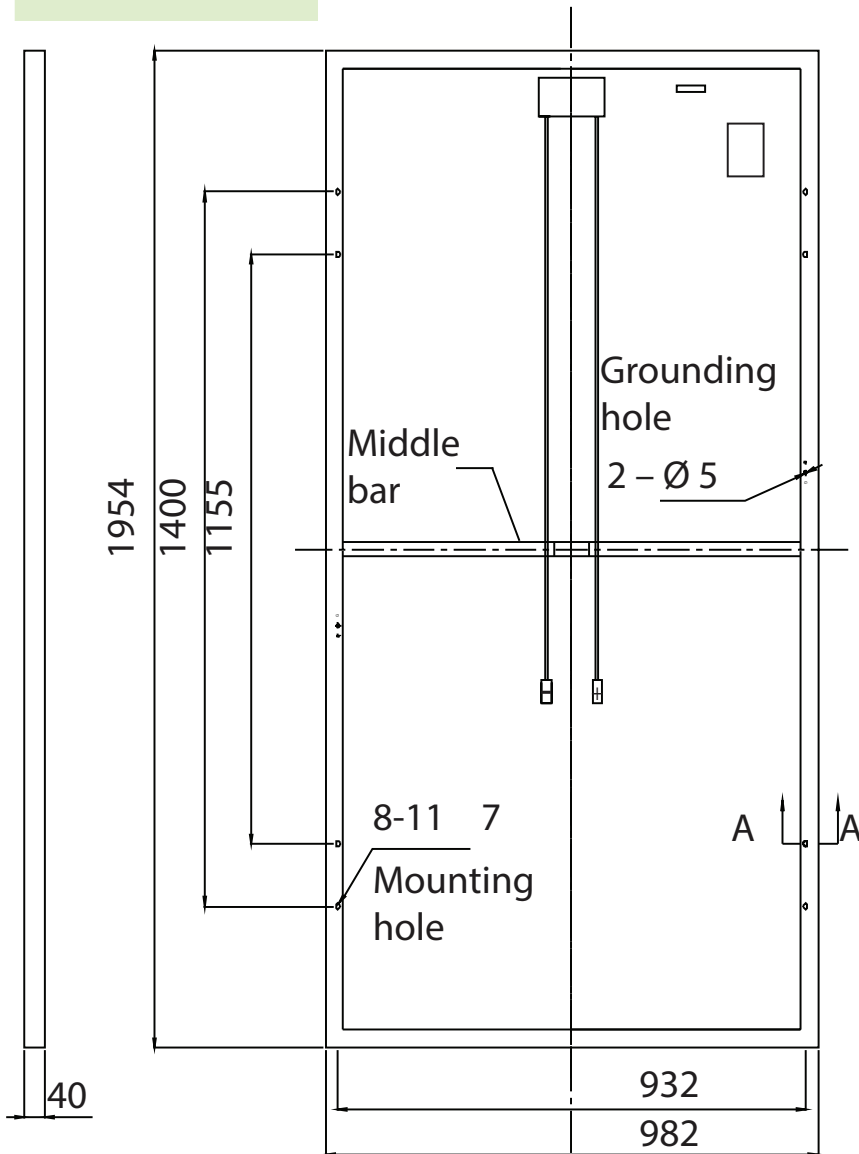
## PACKAGE DIMENSIONS



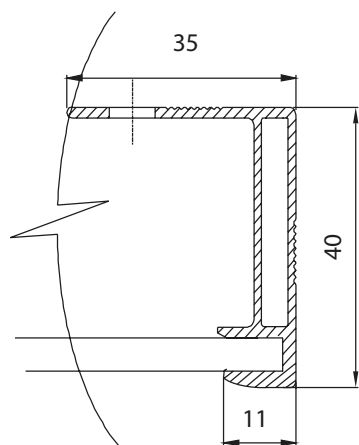
Height (mm)	Length (mm)	Width (mm)	Weight (kg)
1960	40	992	22.4



**Rear View**



**Frame Cross Section A-A**



**Mounting Hole**

